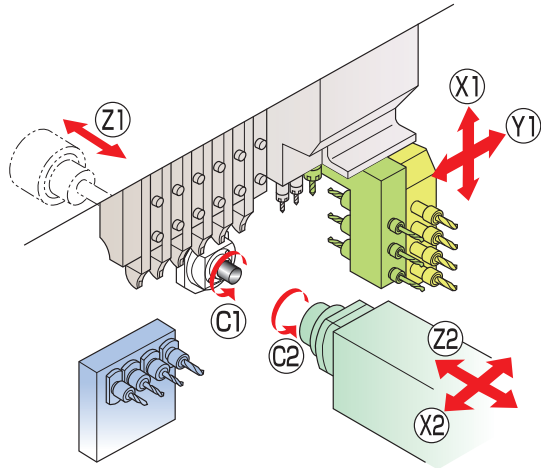


Advantages & Features

The machining spectrum was further expanded by flexible selection of the power-driven tools on the tool post of the SB-12/20R G. The main spindle is fitted by power-driven front drilling unit and saw unit as well as polygon unit and thread whirling unit. The use of power-driven tools on the rear side are now standard.



SB

12R

type G



Technical details

- CNC control system Fanuc Oi-TD
 - Capacity coolant tank 180 liter
 - Dimensions (WxDxH) in mm 2070 x 1177 x 1760
 - Weight 1750kg
 - Power consumption 3.7kVA
 - Rapid feed rate 35m/min
- (X1, Y1, Z1, X2, Z2)

FRONT SIDE

Number of axes	7
Main spindle	C1 / Z1 axis
Tool post	X1 / Y1 axis
max. Machining diameter	12mm / 13mm option
max. Headstock stroke	205mm
Drive power	2.2kW / 3.7kW
max. Speed	15'000 rpm

Tools Gang tool post

Turning tools	6 (□ 12mm) 7 (□ 10mm) option
Cross working tools	max. 5
Drilling Tools	4
max. Speed	6'000 rpm (ER16) 8'000 rpm (ER11)

BACK SIDE

Sub spindle	C2 / X2 / Z1 / Z2 axis
max. Gripping diameter	12mm / 13mm option
Drive power	0.55kW / 1.1kW
max. Speed	12'000 rpm

Backworking tools

Number of tools	4 (fix or driven)
max. Speed	8'000 rpm

STAR